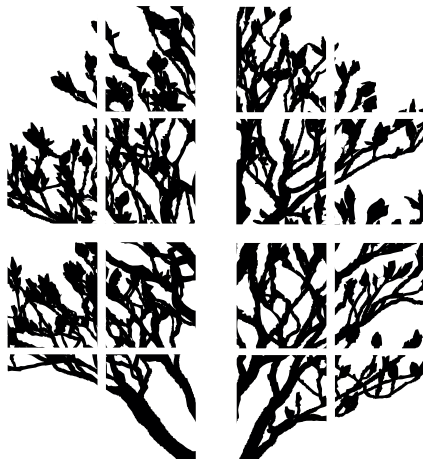


REVEAL
ADAMFRANK.COM

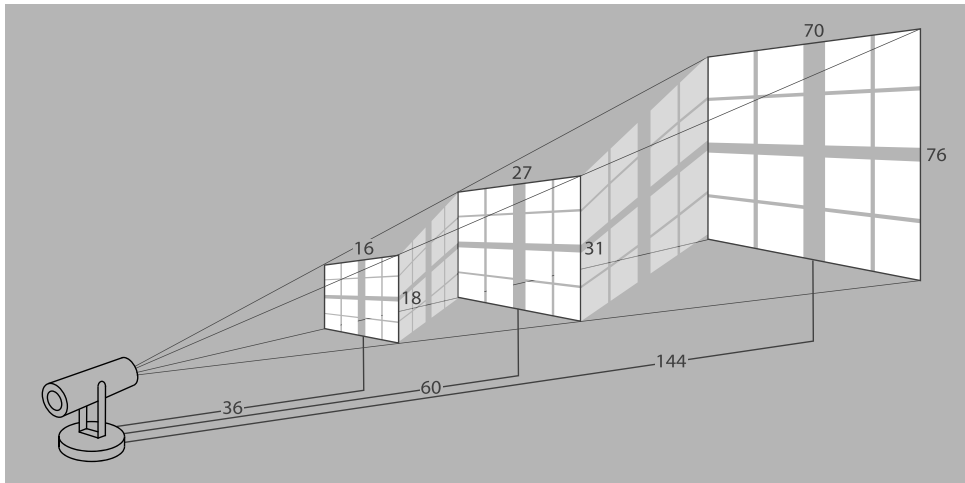


REVEAL™ Copyright Adam Frank Incorporated 2007 Patents Pending
This product and packaging are made of recycled or fully recyclable materials

DIRECTIONS

tion. You will need to choose both a location for the projector and a location for the projected image. REVEAL works in most interior lighting conditions which lack direct sunlight. Subdued or dim lighting is recommended.

REVEAL can be mounted on a wall or ceiling and it can project on any interior surface. The image can be thrown square to the wall or projected at an angle to more closely simulate sunlight entering through a window. The measurements shown below are in inches.

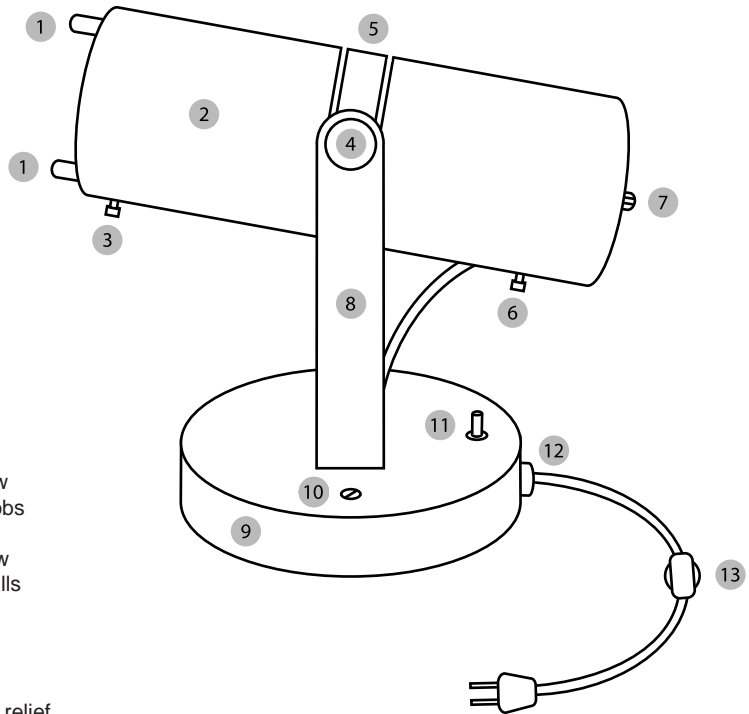


AIR SPEED

Movement in the REVEAL image is due to air currents through the projector. It is meant to be subtle. Adjust the air speed dial to change the amount of perceived motion in the image.

THREE METHODS OF INSTALLATION

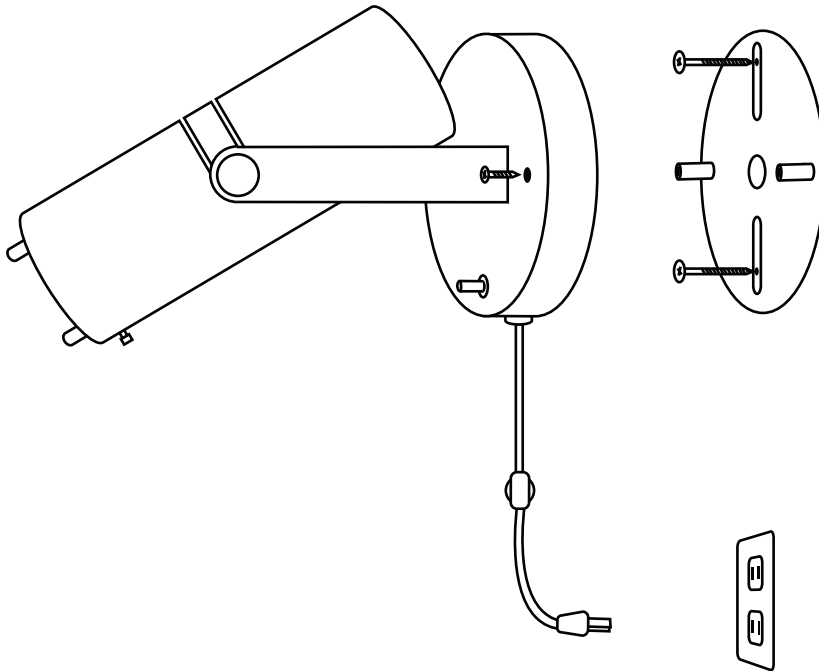
REVEAL can simply be placed on any open shelf or mantle and plugged in to a wall outlet. Make sure that the location is dry and out of reach of children. Turn on and off via the small switch on the cord.



1. focus pegs
2. barrel
3. lens locking screw
4. barrel locking knobs
5. venting slots
6. bulb locking screw
7. bulb assembly pulls
8. yolk
9. base
10. base top screws
11. air speed dial
12. power cord strain relief
13. on/off switch

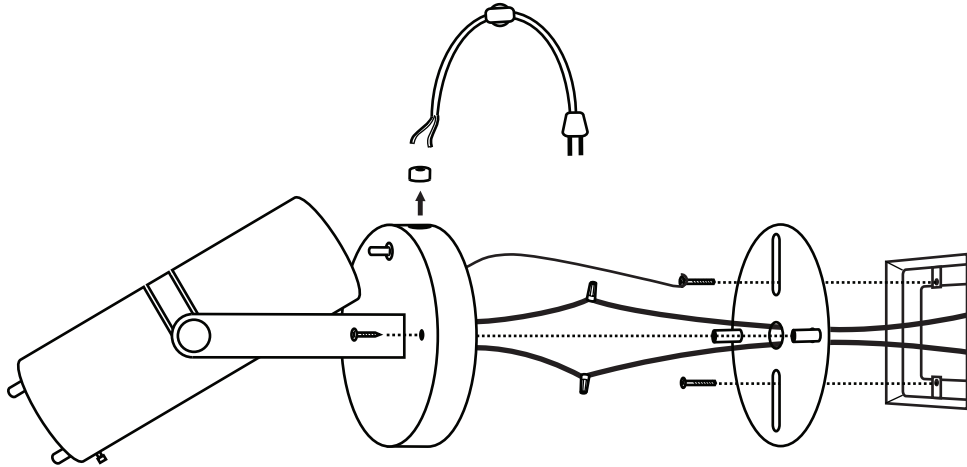
REVEAL can be easily mounted directly to a wall or ceiling.

1. Remove the two screws on the top of the base and remove the bottom base plate.
2. Place base plate on mounting surface and trace the two slot locations.
3. Use screws with appropriate wall anchors to mount base plate to wall.
4. Attach REVEAL to the base plate by replacing the three top screws.
5. Plug in to standard outlet and turn on and off via a small switch on the cord.



REVEAL can be wired and installed into a standard wall or ceiling electrical box.

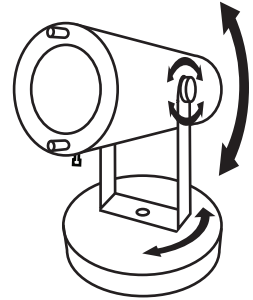
Y ^Á: ^& [{ { ^ } áÁæÁ ~ æ|ä, ^áÁ^| ^&c| ä&æ } Á- [!Ác@ä•Ác^] ^Á [-Áä } •cæ||æcä [] ÉÁ



1. Remove the two screws on the top of the base and remove the bottom base plate.
2. Turn unit over and remove the two orange wire connectors which attach the black power cord.
3. Discard cord with attached plug by pulling it through the strain relief.
4. Discard the strain relief.
5. Thread mains power wires through center hole in base plate.
6. Screw the base plate to the electrical box through the two slots in the plate.
7. Y [^Á { æ^Á&@ [[•^Ác [Á: ^ { [ç^Ác@ ^Á: ~ ää^!Á- ^Ác!-! [{ Ác@ ^Áäæ• ^Ác [Á* ^c|æÁ^cc^!Á, c
8. Attach mains to REVEAL power wires using wire connectors.
9. Attach green ground wire to one of the screws holding the base plate to the box.
10. Remember to rotate the base so the cord release hole is concealed from view.

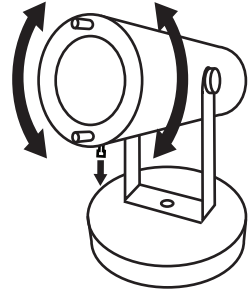
AIM

Once a location is chosen and REVEAL is installed, aim the barrel of the projector at the projection surface. The barrel can be aimed by rotating the barrel around the base 180 degrees in either direction. It also can be aimed by loosening the knobs on each side of the barrel and rotating up and down. Remember to tighten the knobs securely when complete.



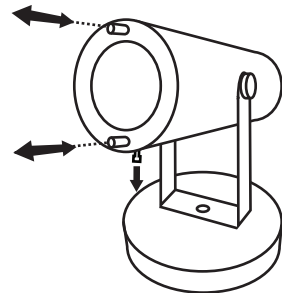
ORIENT

Orient the image by loosening the lens locking screw on the underside of the barrel. Grip the focus pegs and rotate the lens assembly. The window should be rotated so it is right side up and at least one edge is square to the wall. Remember to tighten the locking screw securely when complete.



FOCUS

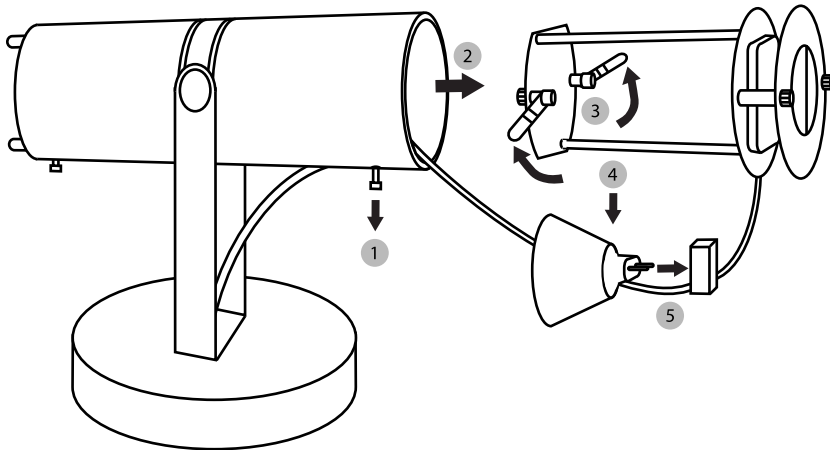
Focus the image by loosening the lens locking screw moving the focus pegs in and out. The edges of the window panes are meant to be in soft focus. The other parts of the image have varying degrees of blur to provide a sensation of depth. Remember to tighten the locking screw securely when complete.



BULB REPLACEMENT

Turn unit off, unplug and allow to cool before replacing lamp. The projector comes with a ultra-white, color adjusted 50 watt MR16 halogen bulb. This can be replaced with a common standard 20, 50 or 65 watt MR16 halogen when needed or in order to customize brightness levels.

1. Loosen the bulb assembly locking screw on the underside of the barrel.
2. Carefully pull the lamp assembly out of the barrel.
3. Rotate the clips which hold the bulb in place away from bulb.
4. Tilt lamp out of lamp assembly.
5. Remove bulb from socket.
6. Reverse this process to re-install.



POWER TRANSFORMER & ADAPTER

V@^Á, !•ck^ääcá []AÜÖXÒCESİá•A { æá^Á- [!Á~•^Áá}Ac@^ÁWÜCEáæ}áÁRæ]æ}È

A simple plug-in transformer and plug adapter can be purchased for all other areas.

SAFETY INSTRUCTIONS

- 1. Lamp is hot when on. Do not touch barrel when in use.
- 2. Use only in a dry, indoor location.
- 3. Keep out of reach of children at all times.
- 4. Turn unit off, unplug and allow to cool before replacing lamp.
- 5. Do not touch hot lens or enclosure.
- 6. Do not look directly into lamp when on.
- 7. Keep lamp away from materials that may burn.
- 8. Use only with wattage of lamp indicated.
- 9. Always lock lens and lamp assembly with front and back retaining screws.
- 10. Always tighten barrel locking knobs securely.
- 11. Do not rotate the yolk around the base more than 180 degrees in either direction.
- 12. Please use with care and at your own risk.

Adam Frank Incorporated takes pride in its products and believes they are manufactured to the highest possible standards.

Correct installation and use of REVEAL is the owner's responsibility. Adam Frank Incorporated will not be liable for any injury or damages resulting from use of the product for other than its intended purpose or from use other than according to the safety instructions. Under no circumstances will Adam Frank Incorporated be liable for indirect, incidental, special or consequential damages. Adam Frank Incorporated accepts no liability for personal injury or property damage resulting from failure to heed

THIS PRODUCT IS SOLD "AS IS" AND AFI HEREBY DISCLAIMS ALL EXPRESS OR IMPLIED WARRANTIES INCLUDING, WITHOUT LIMITATION, THE IMPLIED WARRANTIES OF MERCHANTABILITY, FITNESS FOR A PARTICULAR PURPOSE AND NON-INFRINGEMENT.

